



AKAI

DVD/CD/MP3-RECIVER

Model:
ADV-55DR

SERVICE MANUAL

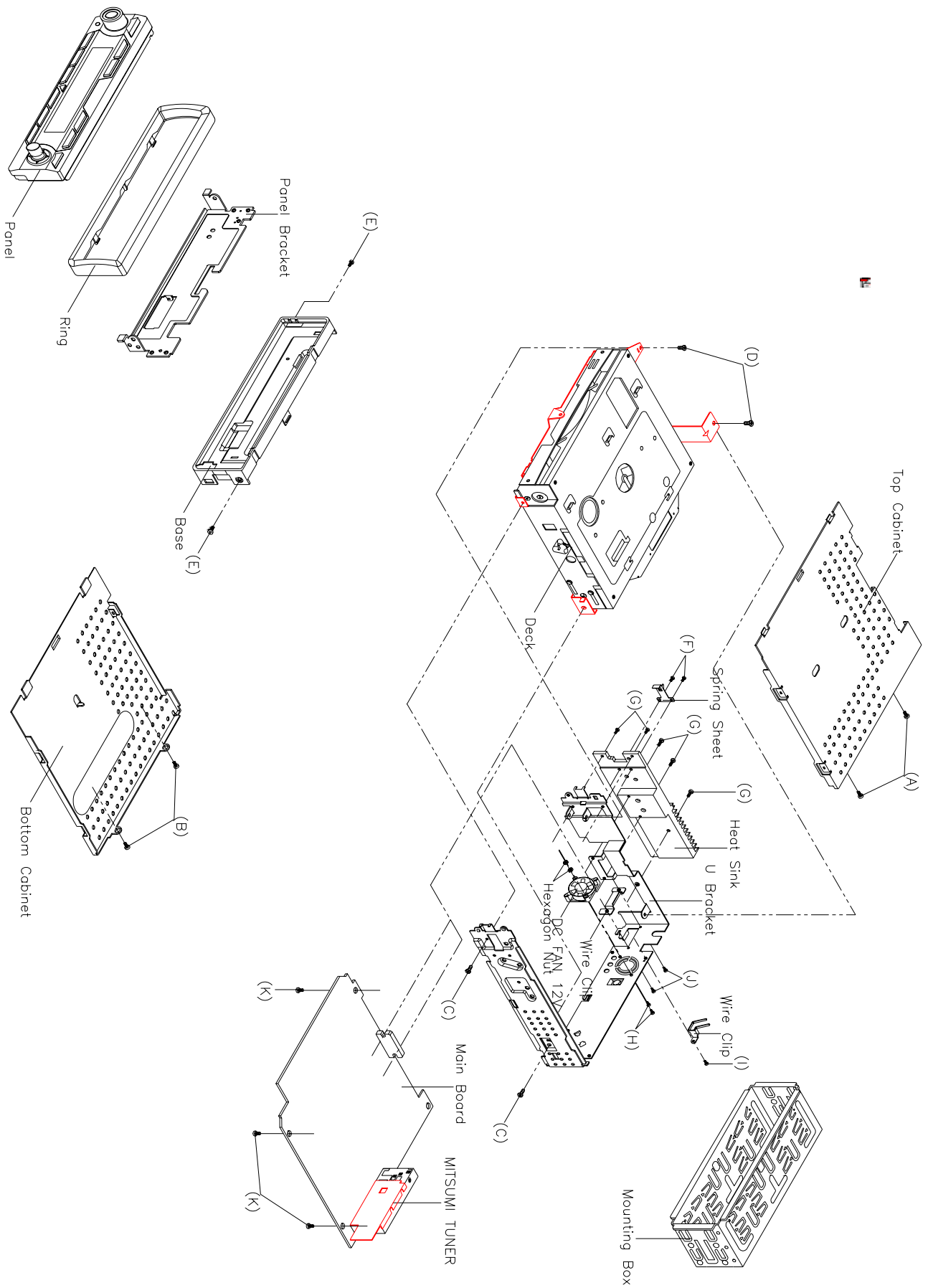
CONTENTS

	Page
Disassembly Instructions	3
Disassembly Diagram.....	4
Operation Check	5
Block Diagram	6
Alignment Locations	7
Alignment Procedures	8
Printed Circuit Boards.....	10
Exploded Views (Panel).....	18
Exploded View Parts Lists (Panel).....	19
Exploded Views (Cabinet)	20
Exploded View Parts Lists (Cabinet)	21
Schematic Diagram	23
Electrical Parts List	28
Specifications	36

DISASSEMBLY INSTRUCTIONS

1. Using the unlock key that came with the unit or a similar tool, unlock the Mounting Box and remove toward the rear of the unit.
2. Remove two screws (A) located on the rear of the top cabinet then remove the Top Cabinet.
3. Remove two screw (B) located on the rear of the bottom cabinet then remove the Bottom Cabinet.
4. Remove two screws (C) from on the right side of the Rear bracket.
Remove two screws (D) from on the left side of the Rear bracket then remove the Deck.
5. Remove two screws (E) from under the front deck bracket then remove the Front Deck Bracket.
Remove two screws (F) from under the rear deck bracket then remove the Rear Deck Bracket.
6. Take out the Panel; The Ring and the Panel Bracket.
Remove two screws (G) from each side of the base then remove the Base.
7. Remove two screws (H) from on the Heat Sink then remove the Spring Sheet.
Remove five screws (I) from on the Heat Sink then remove the Heat Sink.
8. Remove the screw (J) from on the back of the rear bracket then remove the Antenna Clip.
Remove two screws (K) from on the back of the rear bracket then remove the 22PIN Socket.
9. Remove two screws (L) from on the back of the rear bracket and slide off two the hexagon nut then remove the DC FAN 12V.
10. Remove three screws (M) from under the main board then remove the Main Board.

DISASSEMBLY DIAGRAM



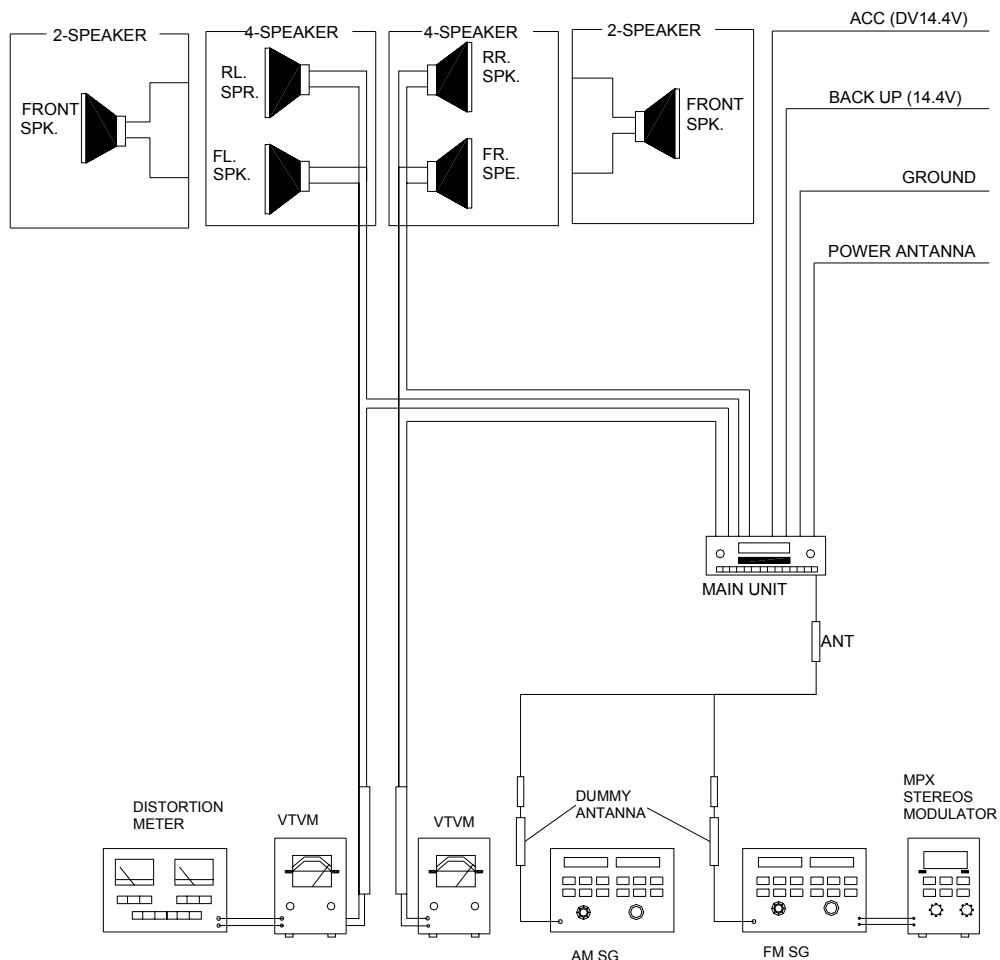
OPERATION CHECK

GENERAL SPECIFICATIONS OF SIGNAL

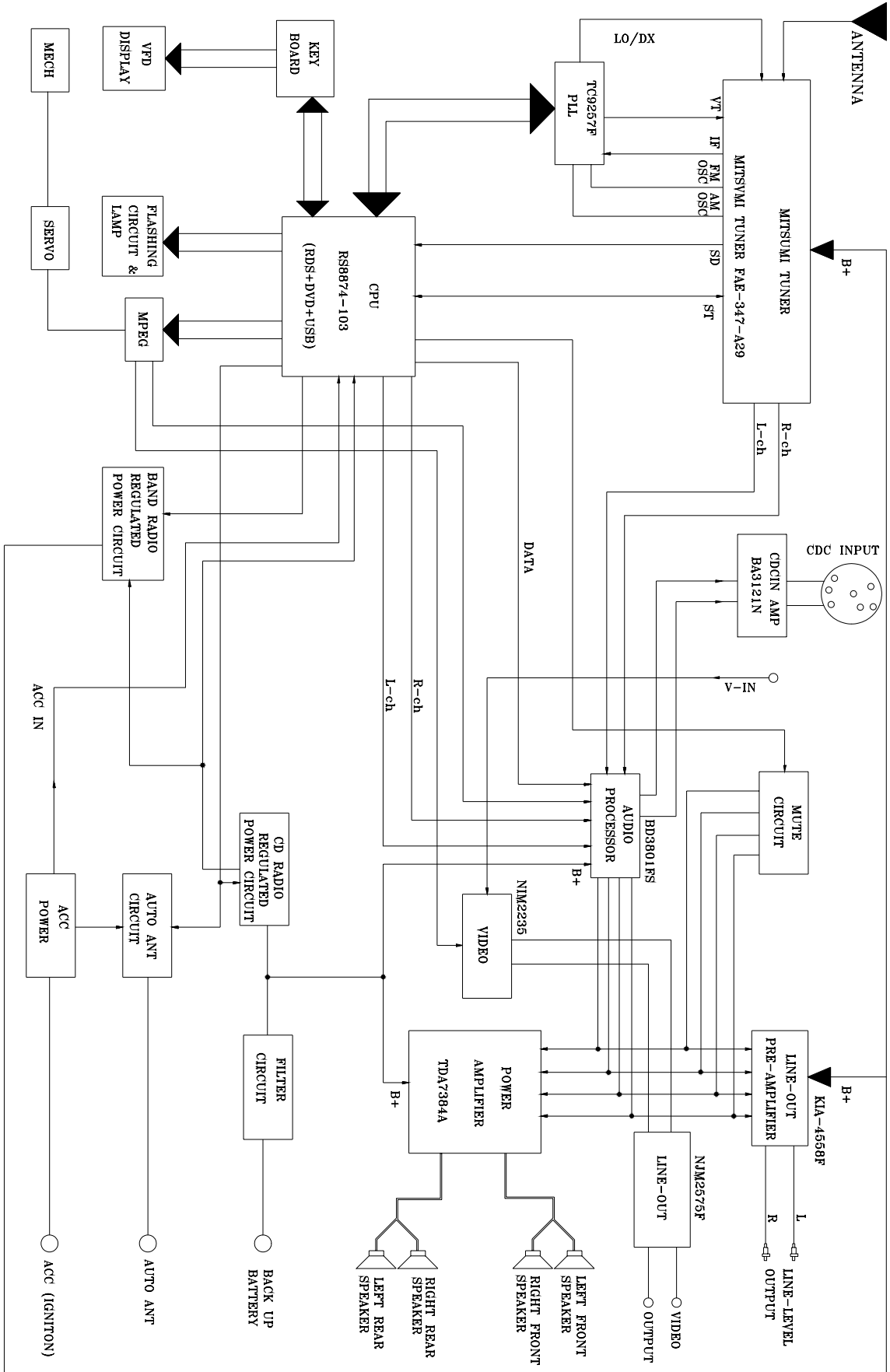
Standard frequency	FM	98.1 MHz (87.5, 108 MHz)	
	MW	1000 kHz (522, 1620 kHz)	
	LW	200 kHz (144, 288 kHz)	
Signal output	FM	1 mV	
	MW	5 mV	
	LW	5 mV	
Modulation	MW	400 Hz	30% MOD.
	FM Stereo	1 kHz	75 kHz DEV.
AF output level	FM/MW/LW		
Power source voltage	DC 14.0V	(Backup voltage is the same as this)	
AF load impedance	4 ohm pure resistance		
Balance	Center position of level		
Tone	Center position		

The signal strength read in this section is voltage on the antenna.

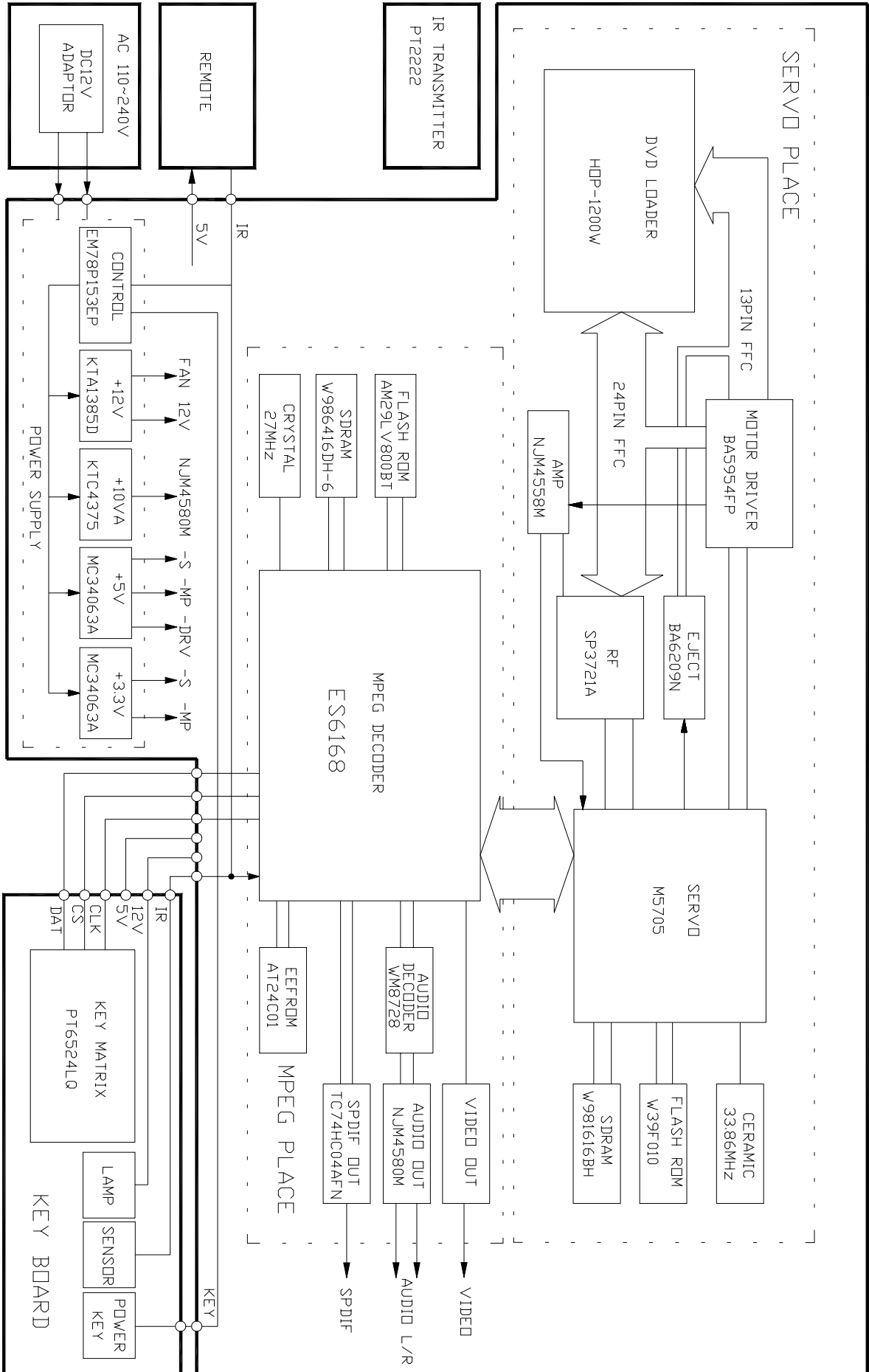
Test Diagram



BLOCK DIAGRAM (RADIO SECTION)

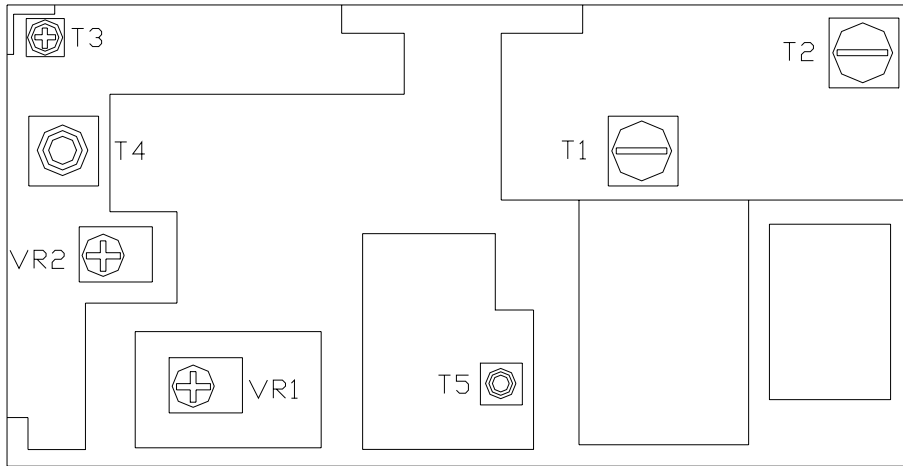
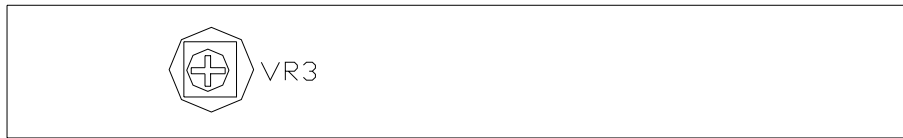


BLOCK DIAGRAM (DVD SECTION)



ALIGNMENT LOCATIONS

MITSUMI TUNER



ALIGNMENT PROCEDURES

FM ADJUSTMENT

Equipment Required

- AM IF/RF signal generator
- Solid-state voltmeter (SSVM)
- Regulated DC power supply
- 2-CH voltmeter
- Distortion meter

FM Alignment Using FM Signal Generator

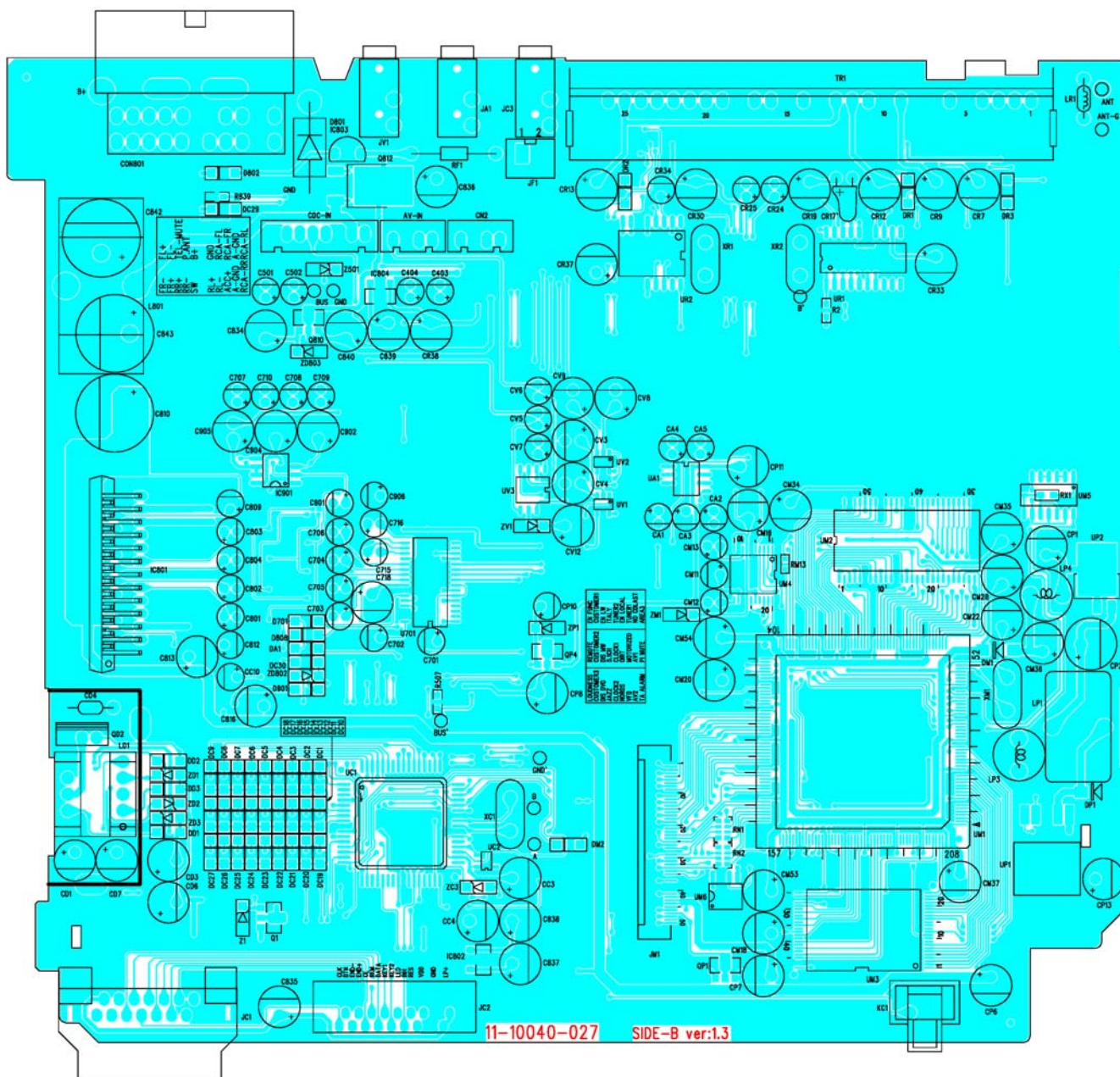
Note: Press the radio power switch to on the radio. Signal generator output must be kept as low as possible to avoid overload and clipping.

Step	Generator Coupling	Generator	Display Setting	Adjustment	Remarks
Stereo Separation	Signal Generator to antenna receptacle	98.1 MHz Int. 1 kHz Dev. 75 kHz L+R = 90 % pilot = 10 %	98.1 MHz	VR1	Adjust AF output power at maximum separating more than 30 dB
FM SNC Adjustment	98.1 MHz Dev. 75 kHz L+R=90 % Int. 1 kHz 60dB μ V output	98.1 MHz @ 40 dB μ	98.1 MHz	VR2	Stereo Separation 25 dB (\pm 5 dB)
Stop SENS.	Signal Generator to antenna receptacle	98.1 MHz Mod. 1kHz Dev 75kHz	98.1 MHz	VR3	Adjust AF to stop station.

Note: The tuner module is well-adjust and adjustment is not recommended.

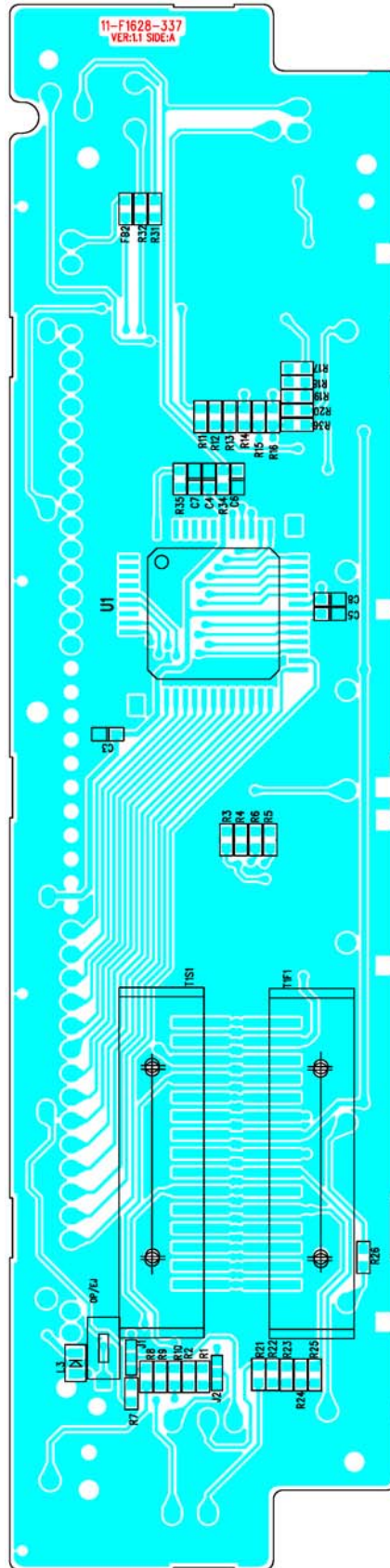
PRINTED CIRCUIT BOARDS

MAIN BOARD



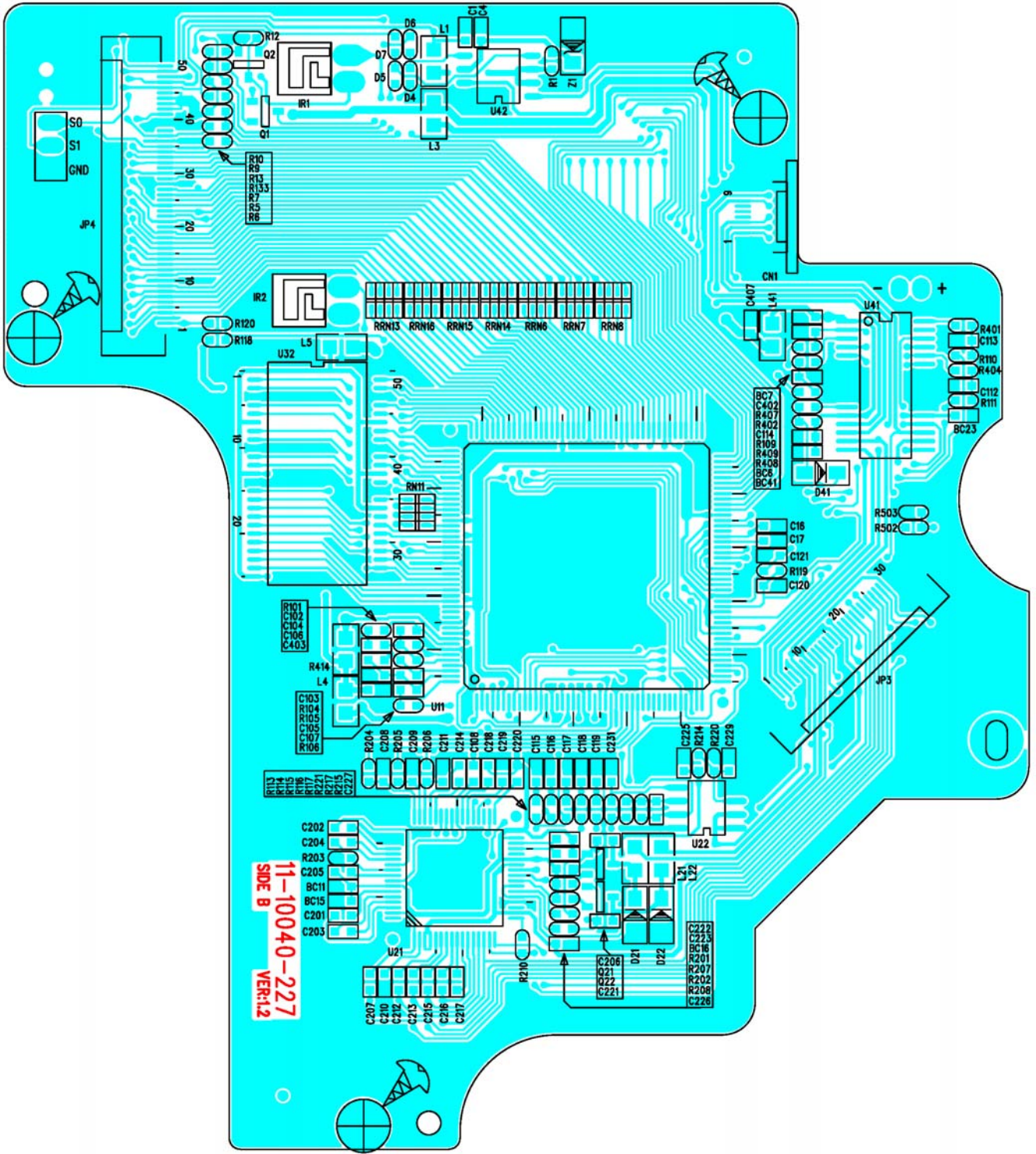
TOP VIEW

KEY BOARD



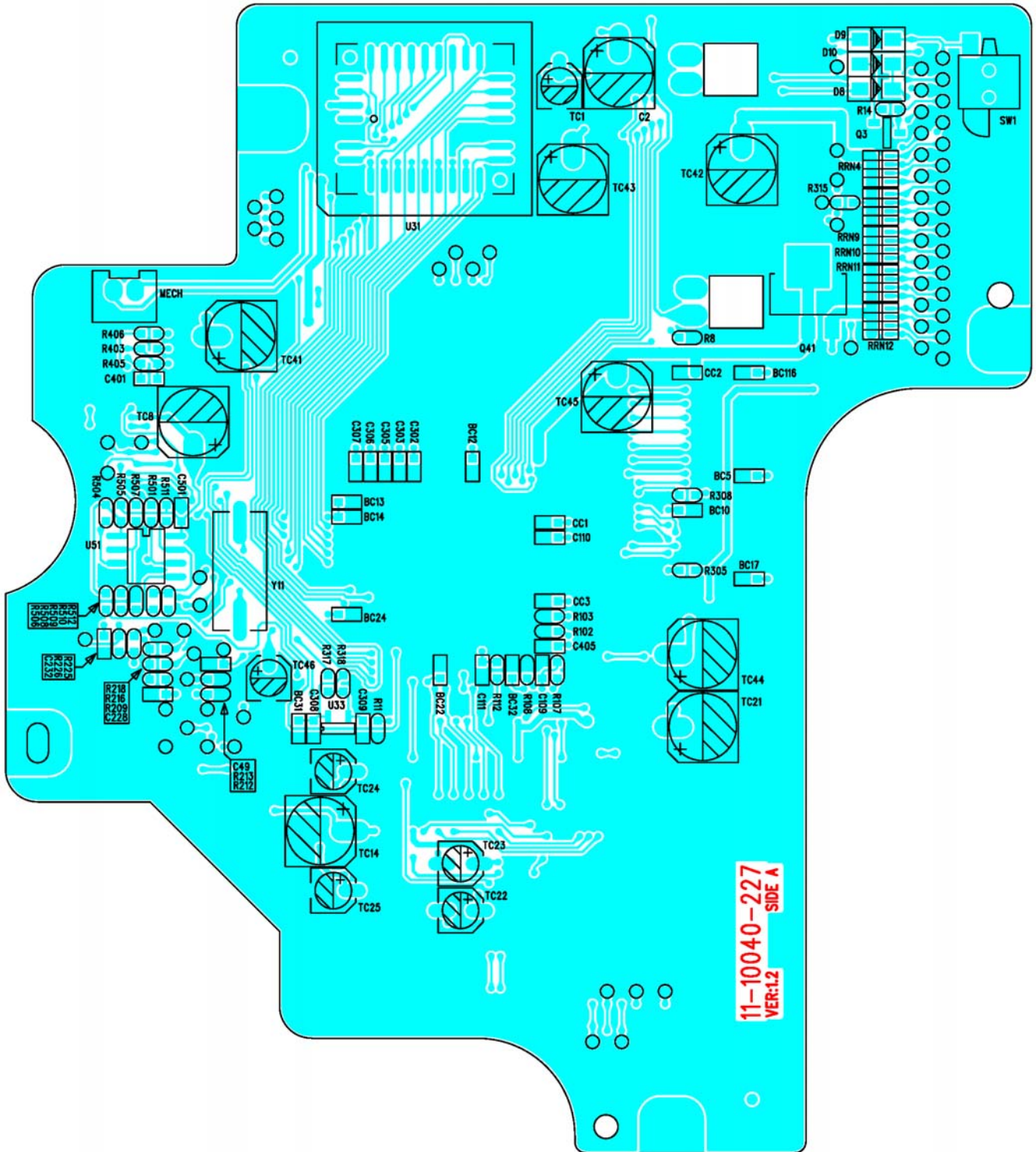
BOTTOM VIEW

CD SERVO BOARD



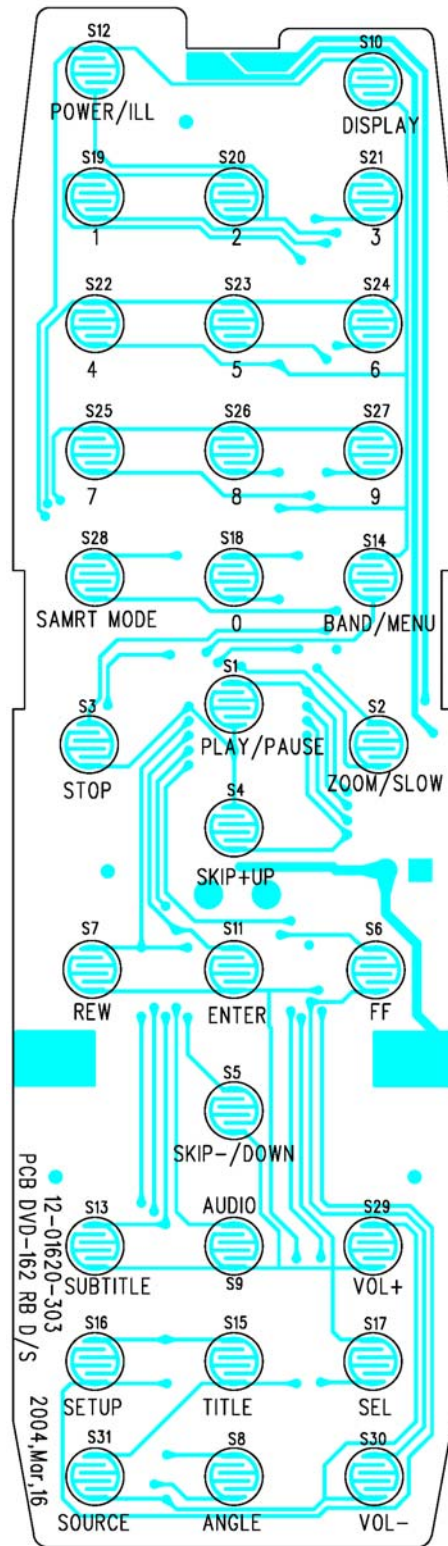
TOP VIEW

CD SERVO BOARD



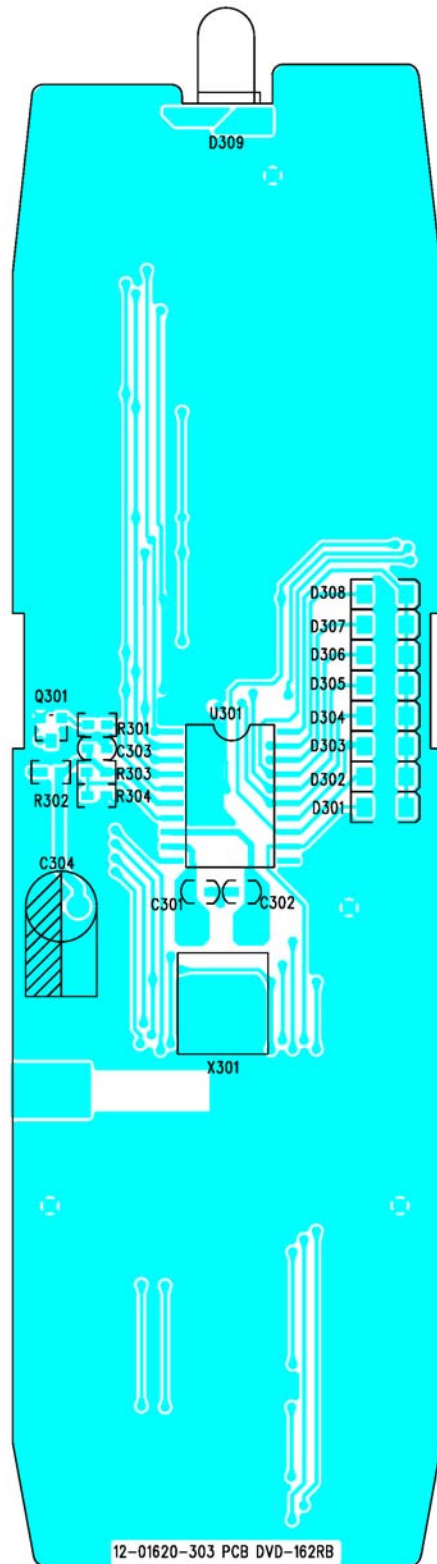
BOTTOM VIEW

REMOTE BOARD



TOP VIEW

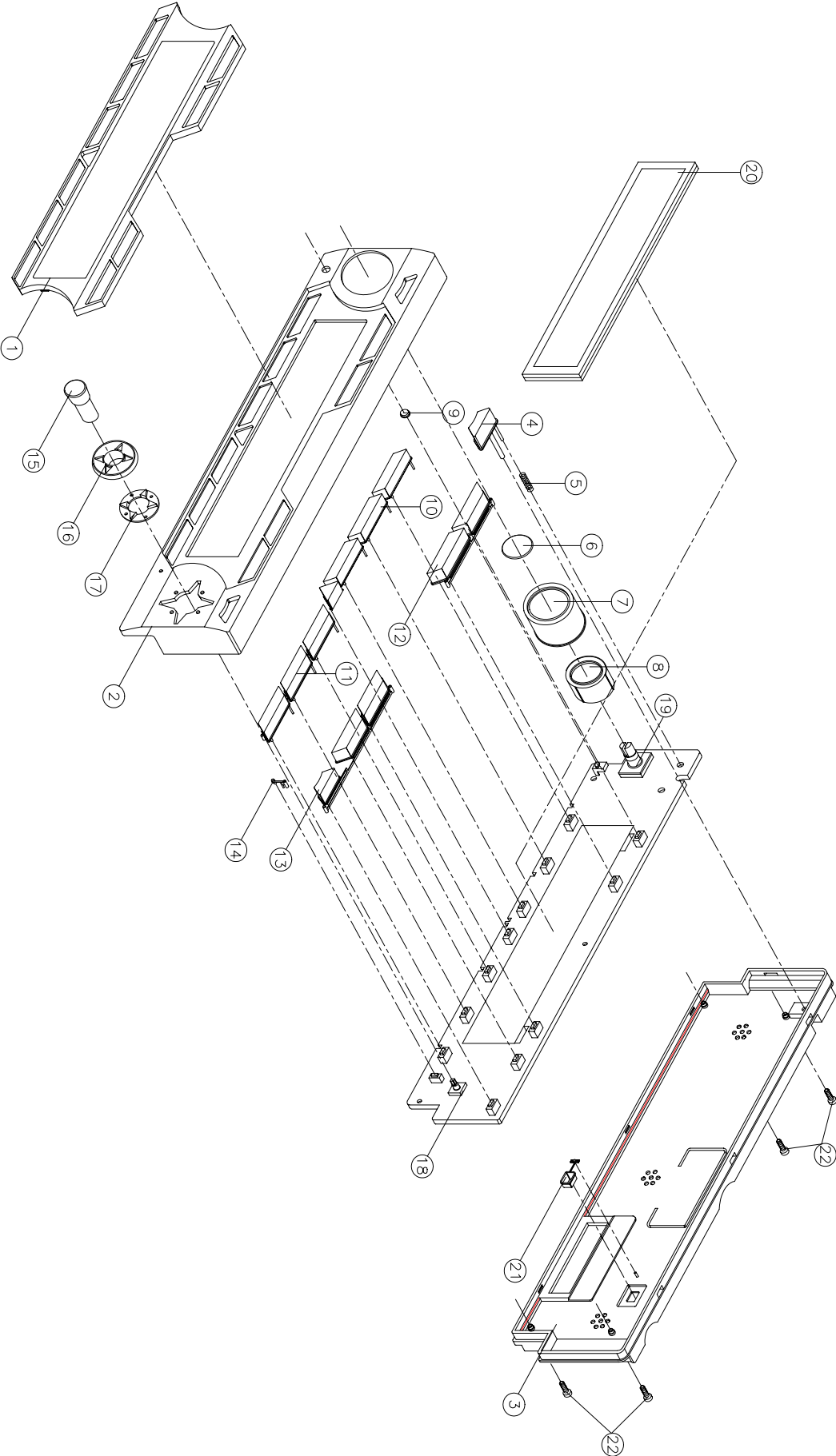
REMOTE BOARD



BOTTOM VIEW

EXPLODED VIEW

PANEL



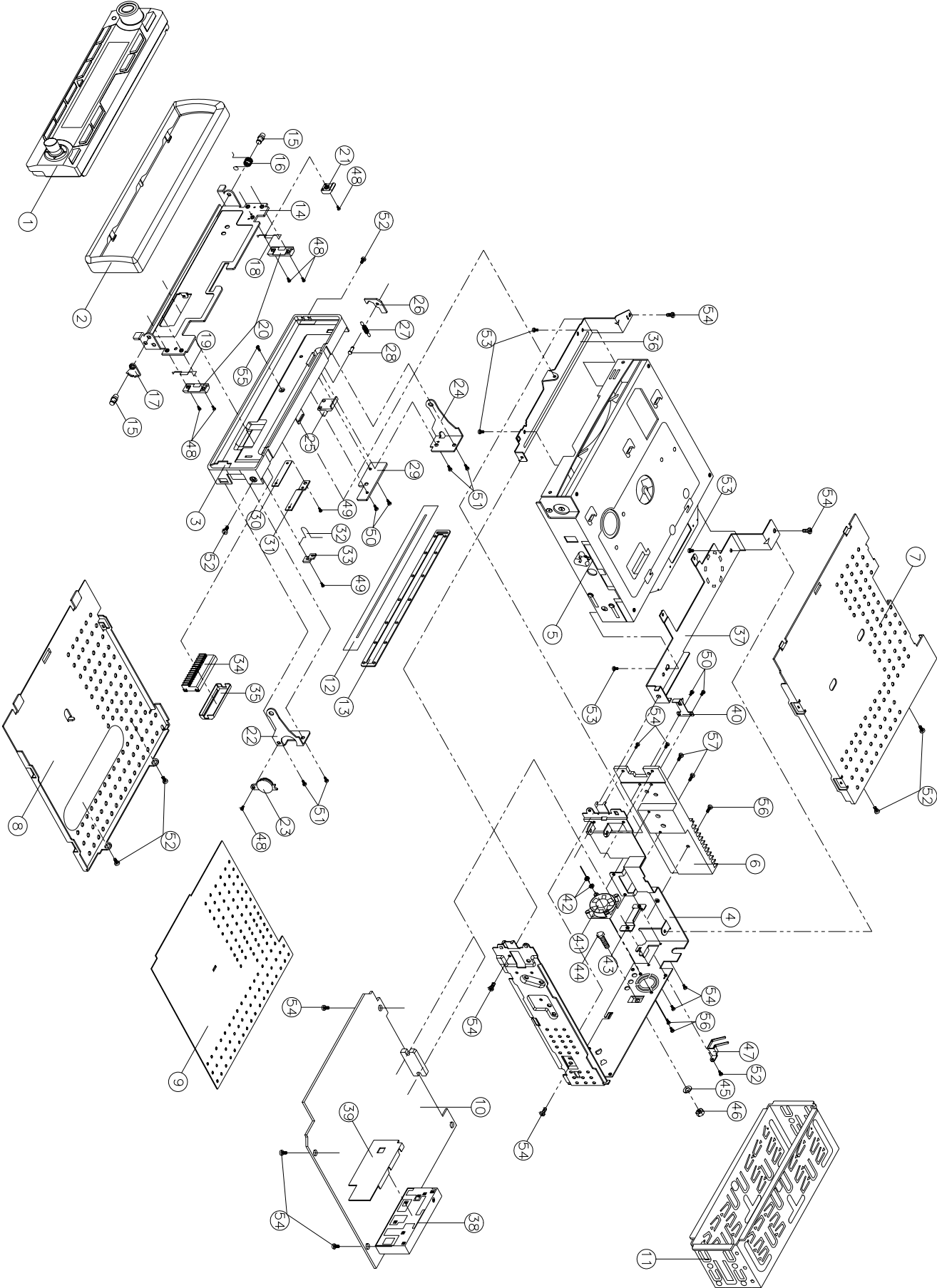
EXPLODED VIEW PARTS LIST

PANEL

Ref. No.	Description	RS Part No.	Mfr's Part No.
1	Lens: DVD-F1628X12.2.2.5/SW (SPY BLK/WHT)		53-G6230-37W
2	T. Panel DVDF1628X12.2.2.5 (S. OP1202/B) W/O Brand		51-G6220-871
3	Bottom Cabinet		51-G6221-00
4	Open Knob For FD (S. OP1202/Black)		52-G6224-81B
5	Open Knob Spring		36-00101-00
6	VOL Knob Cover (Electroplate-Silver)		52-G6223-90E
7	VOL Knob (Electroplate-Silver)		52-G6222-90E
8	Volume Knob Back Light		52-G6232-00
9	IR Lens		52-G6231-00
10	Number 1/Play~3/BND Knob (L-Up) (S.OP1202)		52-G6227-81
11	Number 4SHUFFLE~6CD+ Knob (L-Up) (S.OP1202)		52-G6230-84
12	SEL/AMS/Stop Knob (L-Up) (S. OP1202)		52-G6226-84
13	SMART/MODE/ST/LOC Knob (L-Up) (S. OP1202)		52-G6225-84
14	Reset Knob (S. OP1202)		52-G6234-80
15	ENT/MUTE Knob (S. OP1202/Black)		52-G6229-81B
16	TRK Knob Cover (S. OP1202/Black)		52-G6228-81B
17	Enter Key Back Light +SPY White		52-G6233-01
18	Key Board		12-F1628-337
19	CD115 Rotary Encoder VOL		18-00115-00
20	VFD 14GX14S PIN47 14-BT-83GNK (FUTABA)		27-00083-00
21	Eject Knob-F (L-Up) (S. OPC0000)		52-G6239-01
22	Screw Ø2X8 BA/ST Black		40-12008-21

EXPLODED VIEW

CABINET



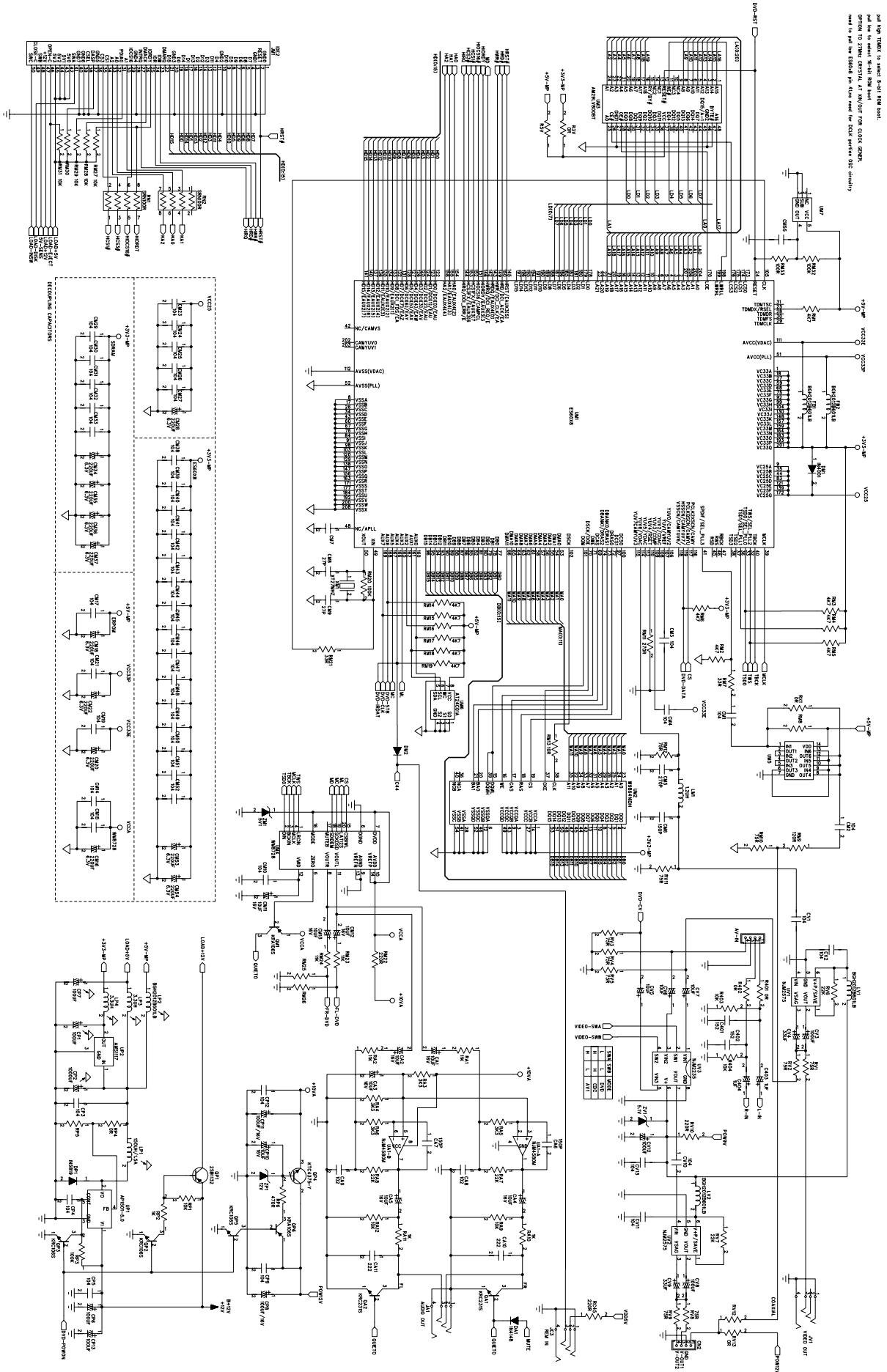
EXPLODED VIEW PARTS LIST

CABINET

Ref. No.	Description	RS Part No.	Mfr's Part No.
1	Panel		
2	Ring (S. OP1202)		51-16228-80S
3	Base N/Reset (DVD162)		51-H6230-00
4	Rear Bracket (Wire) (RDS)		61-D0406-00
5	DVD MECH. Slot Type (HPD-60)		94-02780-00
6	Heat Sink (CD100/104) Y/Wire		61-B0110-00
7	Top Cabinet		61-B0105-00
8	Bottom Cabinet (For Wire)		61-B0114-00
9	Main Fiber (For 268)		35-B0101-00
10	Main Board		11-10040-027
11	Mounting Box (072)		61-07211-03
12	Shade		81-69005-02
13	CD Windows Sheet		43-A3103-00
14	Panel Bracket (18PIN)		61-H6201-00
15	Pipe		34-40201-00
16	Bracket Spring		36-02922-01
17	Gear 1 (POM)		52-40237-00
18	Panel Bracket Spring (Left) Electroplate		36-04901-02
19	Panel Bracket Spring (Right) Electroplate		36-04902-02
20	GIB (POM)		52-40235-00
21	Open Adaptor		52-10564-00
22	Right Bracket		39-00104-00
23	Gear 2 (POM)		52-40238-00
24	Left Bracket (CD-049)		39-04908-00
25	CD Back Light (PC)		52-04937-00
26	Hook (POM)		52-40236-00
27	Release Spring		36-00102-00
28	Hook Shaft		34-00101-00
29	Lamp Board		12-03201-755
30	Wire FIX Fiber (18PIN)		35-08303-00
31	Wire FIX Sheet 18PIN		39-08303-00
32	Right Spring (MARK 1)		36-68301-00
33	Spring Bracket		52-16255-00
34	18PIN SKT With Flexible PCB (DVDD1628)		25-F1628-18A
35	Socketed Bracket (18PIN)		52-A1235-00
36	Front Deck Bracket (RDS)		39-D0406-00
37	Rear Deck Bracket		39-B0101-00
38	mitsumi Tuner FAE-347-A29		29-00347-02
39	FM Cover		39-D0412-00
40	Spring Sheet		39-B0102-00

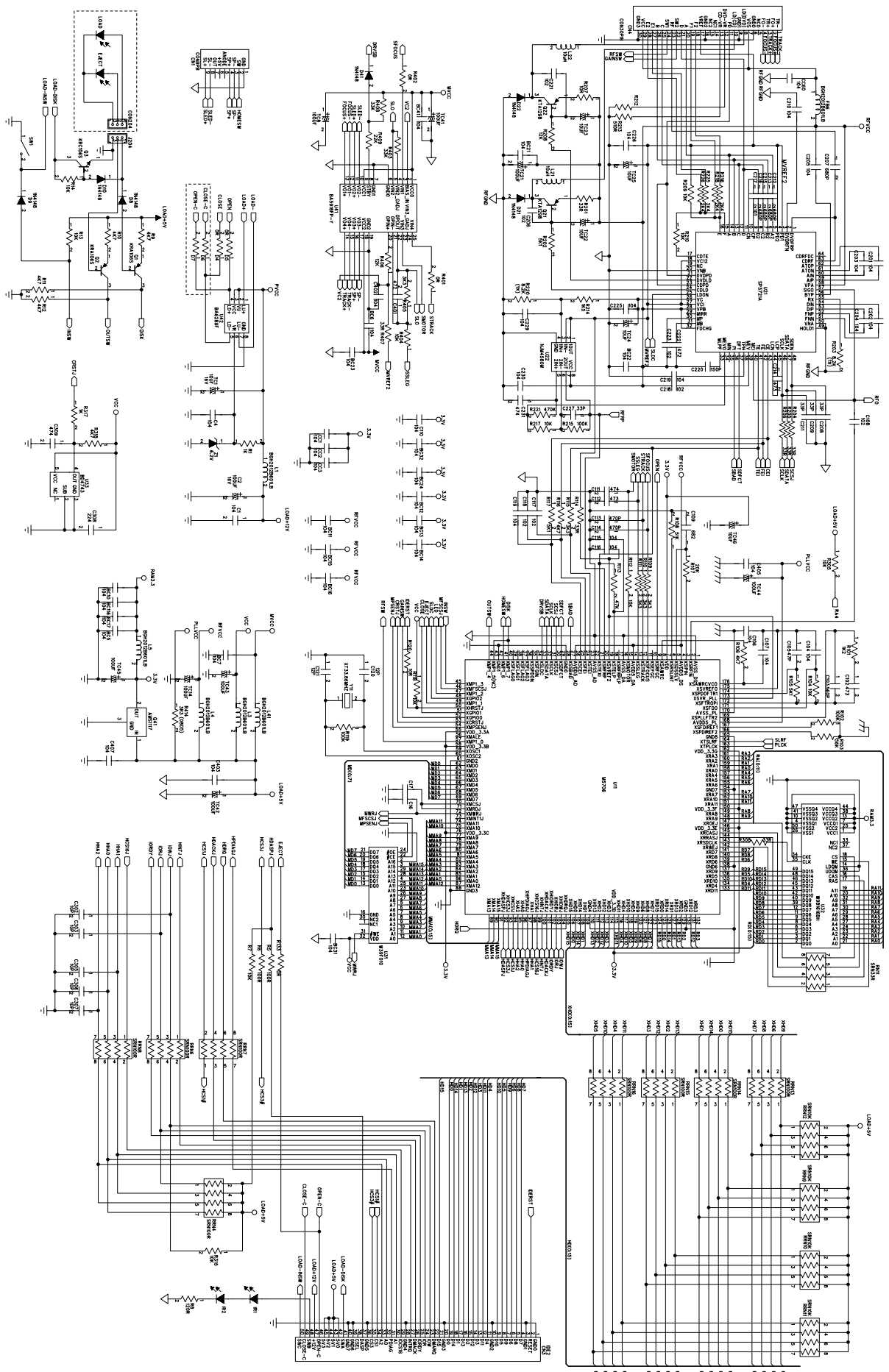
Ref. No.	Description	RS Part No.	Mfr's Part No.
41	12V DC FAN 30X30X7		49-03012-12
42	Hexagon Nut M2.0		35-40026-00
43	Wire Clip 1.0MM		39-B1415-00
44	Screw Ø5 X 18 HH		40-05018-04
45	Spring Washer M5		35-50001-00
46	Hexagon Nut M5		39-12620-00
47	Antenna Clip 1.0MM G.S.S.		39-A1526-00
48	Camera Screw M2X3 P/H (Black)		40-60203-20
49	Screw Ø2 X 4 BH/ST		40-12004-00
50	Screw Ø2 X 4 PH/ST		40-02004-05
51	Screw Ø2 X 6 PA/ST Black		40-12006-20
52	Screw Ø2.6 X 4 BH/MS		40-02604-01
53	Screw Ø2.6 X 5 BH/TAPTITE		40-02605-03
54	Screw Ø2.6 X 6 BH/MS		40-02606-01
55	Screw Ø2.6 X 6 BH/ST		40-02606-06
56	Screw Ø2.6 X 10 BH/MS		40-02610-01
57	Screw M2.6 X 20 PH/MS		40-02620-00

SCHEMATIC DIAGRAM (MPEG)

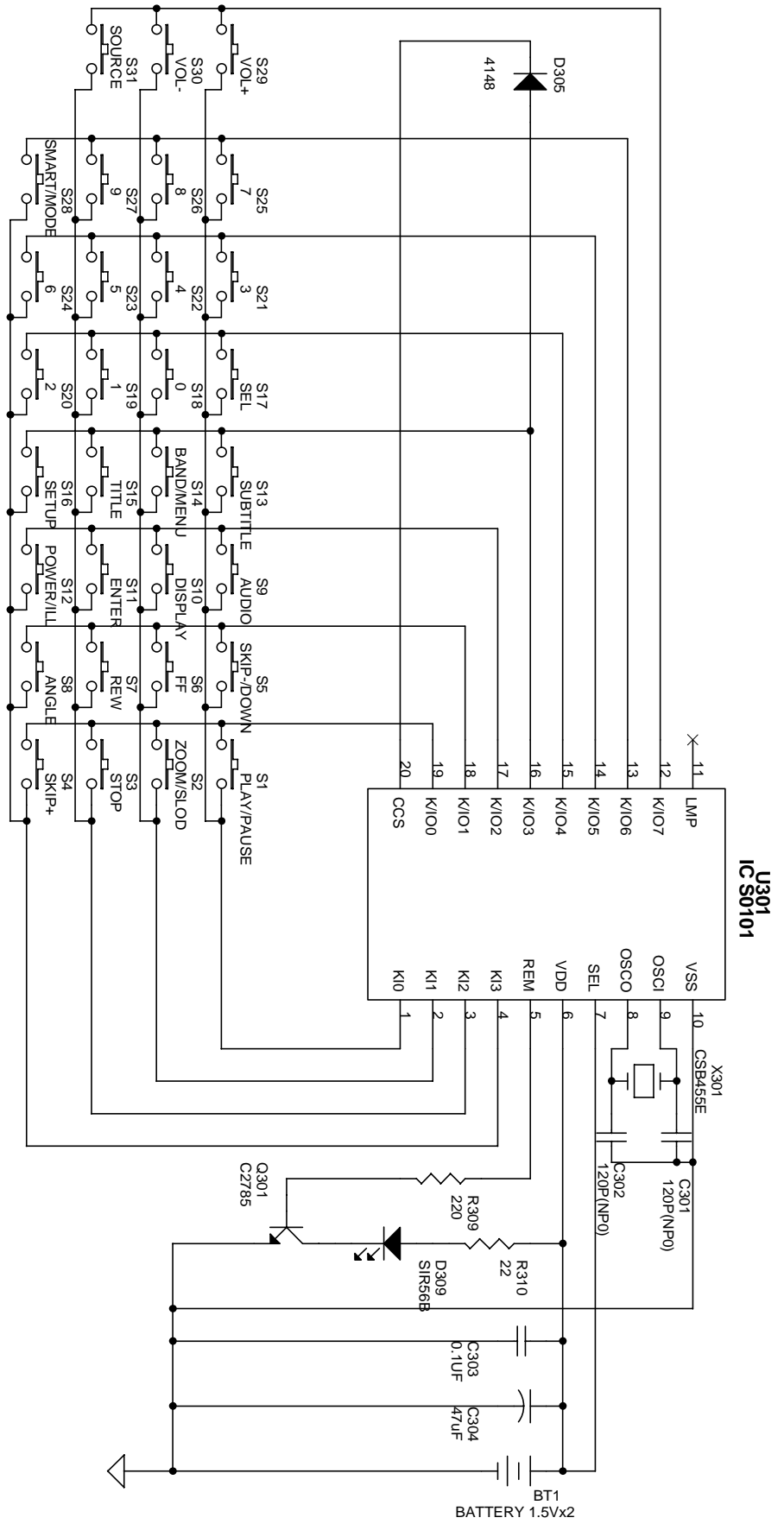


pin 109 TDA9984 is marked 5.0V. FROM BOARD.
OPTION TO 3.3V. (OPTIONAL AT 3.3V) FOR CLOCK GENERATOR.
need to put the external pin. Also need for clock external disc clarity.

SCHEMATIC DIAGRAM (CD SERVO BOARD)



SCHEMATIC DIAGRAM (REMOTE BOARD)



ELECTRICAL PARTS LIST

Ref. No.	Part No.	Description	Q'ty
PC BOARD ASSY, MAIN BOARD			
QC1,5,7,9,QP6,QM1	01-00106-00	KRA106S (SOT-23)	6
QC4,6,8,QP2,3,5,QR1,13/4	01-00106-10	KRC106S (SOT-23)	9
Q803~6,QA1,2	01-00231-00	KRC231S (SOT-23)	6
QP1	01-01132-00	TR. CHIP 2SB1132Q ROHM	1
Q807/9,QC2,QR12	01-01298-00	KTA1298 (SOT-23)	4
Q812	01-01385-00	KTA1385D (DPAK)	1
Q801,QR11	01-03265-00	TR. KTC3265-Y	2
Q808,811,901~3,QC3,QR2~6	01-03875-07	TRANSISTOR 2SC3875G	11
Q1,810,QP4	01-04375-00	TR. KTC4375-Y (SOT-89)	3
ZC1,2	02-00062-07	E.S.D. DIODE NNCD6.2G (5PIN)	2
DM1	02-04001-01	CHIP IN4001 (SOD-106)	1
D701,802/8,901,DA1,DC4,9,11,26/7/9,30, DR1	02-04148-02	DIODE CHIP RLS4148 1206 ROHM	13
DP1	02-05819-02	CHIP IN5819 (SOD-16)	1
ZC3	02-50033-54	3.3V ZENER DIODE SMD1206	1
ZD802	02-50036-54	CHIP ZENER DIODE 3.6V ±5% (LL-34)	1
ZM1,ZV1	02-50051-03	CHIP ZENER DIODE 5.1V ±5% (LL-34)	1
Z1	02-50091-01	CHIP ZENER DIODE 9.1V ±5% (LL-34)	2
ZD803	02-50100-02	CHIP ZENER DIODE 10V ±5% (LL-34)	1
ZP1	02-50112-00	12V ZENER DIODE (SMD-1206)	1
UP2	03-01117-01	FIX 3.3V VOLTAGE REGVLATER AMS1117-3.3	1
UP1	03-01501-02	SWITCH POWER IC 5V (AP1501-5.0K)	1
UV3	03-02235-00	IC CHIP NJM2235M JRC	1
UM6	03-02401-00	EEPROM (FLAT PACK) 24C01	1
UV1,2	03-02575-01	IC NJM2575F (MTP6)	1
U701	03-03801-10	IC BD3801FS (SSOP-A32)	2
UA1,IC901	03-04580-00	NJM4580M (SOP-8PIN)	1
UC2	03-04735-00	IC BD4735G (SMP5)	2
UM1	03-06008-00	ES6008 (FQFP-208PIN)	1
UM2	03-06416-00	W986416DH-6 (TSOP II-54PIN)	1
UR2	03-06579-00	IC SAA-6579T	1
IC801	03-07384-00	IC TDA7384A (4X40W) "Y"	1
IC802/4	03-07805-02	KIA 78L05F (SOT-89)	1
IC803	03-07818-00	REGULATOR LC-78L18	2
UM4	03-08728-00	WM8728 (SSOP-20PIN)	1
UC1	03-08874-101	MCU RS8874-101 (RDS-DVD)	1
UR1	03-09257-00	IC TC9257F	1
UM3	03-29800-13	AM29 LV800BT-90 (TS048) DVD1004	1

ELECTRICAL PARTS LIST - CONTINUED

Ref. No.	Part No.	Description	Q'ty
XC1,XR2	04-00072-00	CRYSTAL 7.2MHZ	1
XM1	04-00270-00S	CRYSTAL 27MHZ (HC-49/US) ±5PPM	2
XR1	04-00433-04	CRYSTAL 4.332MHZ (HC-49/μS)	1
CR17	05-16225-00	TAN CAP 2.2μF 16V	1
C805~8,CA8,9,CC1,2,CR3,6	05-63102-00	CHIP 1000PF ±5% NPO 0603 SMT	11
CR5,11,26,31	05-63103-01	CHIP 0.01μF ±10% X7R 0603 SMT	4
C717,903/7,CR27,32,CV1,2,10/1/3,CC5,7, CM1~4,10/4/5/7/9,21/3~7/9~33/8~52,CP 3~5,12	05-63104-02	CHIP CAP 0.1μF ±20% Y5V 0603 SMT	55
CA6,7,CM6	05-63151-00	CHIP 150PF ±5% NPO 0603 SMT	2
C401/2	05-63152-01	CHIP1500PF ±10% X7R 0603 SMT	2
CR20/1	05-63153-01	CHIP 0.015μF ±10% X7R 0603 SMT	2
CR10	05-63220-00	CHIP CAP 22PF ±5% NPO 0603 SMT	1
CA10/1	05-63222-01	CHIP 2200PF ±10% X7R 0603 SMT	2
C817,CC6,CR2,8,14/6/8,35/9	05-63223-01	CHIP 0.022μF ±10% X7R 0603 SMT	9
CR4	05-63224-02	CHIP 0.22μF ±20% X7R 0603 SMT	1
CC9,CM8,9	05-63270-00	CHIP CAP 27PF ±5% NPO 0603 SMT	3
CM5	05-63271-00	CHIP 270PF ±5% NPO 0603 SMT	1
CR22/3	05-63272-01	CHIP 2700PF ±10% X7R 0603 SMT	2
CC8,CR42/3	05-63300-00	CHIP CAP 30PF ±5% NPO 0603 SMT	3
CR40	05-63330-00	CHIP CAP 33PF ±5% NPO 0603 SMT	1
CR41	05-63470-00	CHIP CAP 47PF ±5% NPO 0603 SMT	1
C814	05-63474-02F	CHIP CAP 0.47μF 16V ±80% 0603	1
CR36	05-63561-00	CHIP CAP 560PF ±5% NPO 0603 SMT	1
C702~6,812,838,906,CA1~5,CM11~3,CP 1,7,10,CV6,7	06-16106-03	E CAP. 10μF 16V (4X5)	21
C718,813,834~7/9,840,902/4/5,CP6,8,11/ 3,CR9,12/3,30,CV3,8,12	06-16107-04	E CAP. 100μF 16V Ø8MM	22
CP2	06-16108-02	E CAP. 1000μF 16V (Ø6X5MM)	1
CV4,9	06-16336-01L	E CAP. 33μF 16V Ø5X5MM LELON	2
C810,843	06-16338-00J	E CAP. 3300μF/16V 105°C Ø13X25MM	2
C809,CC10	06-16475-02M	E CAP. 4.7μF 16V Ø4X5MM	2
CR7	06-16476-03	E CAP. 47μF 16V (6X5)	1
C403/4,701/7~10,801~4,901,CR24/5	06-50105-02M	E CAP. 1μF/50V (Ø4X5MM)	13
C715/6,CR34	06-50225-02	E CAP. 2.2μF 50V (4X5)	3
CC3,4,CM16/8,20/2/8,34~7,53/4,CR33/7/8	06-63227-01	E CAP. 220μF 6.3V (Ø6X5MM)	16
R702,854/7,RR12,34	07-05100-54	CHIP RES. 10Ω 1/10W	5
R401/2,RC5,8,9,19,20,38~42/7,RP4,RR11 ,32,47,R3V,RX1,RV13	07-63000-00	CHIP RES 0Ω ±5% 0603 SMT	18

ELECTRICAL PARTS LIST - CONTINUED

Ref. No.	Part No.	Description	Q'ty
RR4,10,40/1,RM13	07-63100-00	CHIP RES 10Ω ±5% 0603 SMT	5
RC14/5/7/8,26,44,RR7,9,42	07-63101-00	CHIP RES 100Ω ±5% 0603 SMT	9
RN1,2	07-63101-04	CHIP CN34J RES 100Ω (0603X4 SMT)	2
R703~10,801~4,852,913,RR1,2,8,14/5,36 ~9,43,RA10/1,RC16,RP2	07-63102-00	CHIP RES 1kΩ ±5% 0603 SMT	28
R403/4,711,813,837/9,845/8,851/3,RR16, RM27~9,31,RP1,RA9,12,RC11/3,33/6,50	07-63103-00	CHIP RES 10kΩ ±5% 0603 SMT	25
R819,RP3,RM20,32	07-63104-00	CHIP RES 100kΩ ±5% 0603 SMT	4
RC1~4,21/5	07-63105-00	CHIP RES 1MΩ ±5% 0603 SMT	6
RA1,2,RM23/4	07-63113-00	CHIP RES 11kΩ ±5% 0603 SMT	4
RM9	07-63121-00	CHIP RES 120Ω ±5% 0603 SMT	1
RR6	07-63151-00	CHIP RES 150Ω ±5% 0603 SMT	1
R818,RR5	07-63152-00	CHIP RES 1.5kΩ ±5% 0603 SMT	2
R401/2	07-63153-00	CHIP RES 15kΩ ±5% 0603 SMT	2
R830	07-63182-00	CHIP RES 1.8kΩ ±5% 0603 SMT	1
R814~7,RR33	07-63184-00	CHIP RES 180kΩ ±5% 0603 SMT	5
RC23/4	07-63220-00	CHIP RES 22Ω ±5% 0603 SMT	2
RV10,RM22,RC45	07-63221-00	CHIP RES 220Ω ±5% 0603 SMT	3
R4,827,831,910/1/5	07-63222-00	CHIP RES 2.2kΩ ±5% 0603 SMT	8
R805~8,829,858,RV6,7,RA7,8	07-63223-00	CHIP RES 22kΩ ±5% 0603 SMT	10
R901~4,RC34	07-63224-00	CHIP RES 220kΩ ±5% 0603 SMT	5
RM11	07-63271-00	CHIP RES 270Ω ±5% 0603 SMT	1
RM7,21	07-63330-00	CHIP RES 33Ω ±5% 0603 SMT	2
RR13	07-63331-00	CHIP RES 330Ω ±5% 0603 SMT	1
RA3~6,RR19,20	07-63332-00	CHIP RES 3.3kΩ ±5% 0603 SMT	6
R701,905	07-63333-00	CHIP RES 33kΩ ±5% 0603 SMT	2
RC27/9	07-63334-00	CHIP RES 330kΩ ±5% 0603 SMT	2
RC32	07-63392-00	CHIP RES 3.9kΩ ±5% 0603 SMT	1
R907/9	07-63393-00	CHIP RES 39kΩ ±5% 0603 SMT	2
R850/9,RR3,RC31,48,RP6	07-63471-00	CHIP RES 470Ω ±5% 0603 SMT	6
R840,RR29,50,RC6,10/2,22,35,49,RM1~6 ,14/5/7~9	07-63472-00	CHIP RES 4.7kΩ ±5% 0603 SMT	21
R820,846/7/9,912/6,RC28,37,RR23/4	07-63473-00	CHIP RES 47kΩ ±5% 0603 SMT	10
R914	07-63680-00	CHIP RES 68Ω ±5% 0603 SMT	1
RR44	07-63681-00	CHIP RES 680Ω ±5% 0603 SMT	1
RV1,2,4,5,8,9,11,RM10/2	07-63750-00	CHIP RES 75Ω ±5% 0603 SMT	9
LM1	09-00012-54	INDUCTOR 1.2UH SMD 0603	1
FB1,2,LV1,2,LP2,L803	09-00601-00	CHIP BGH2012B601LB	6
LP3,4	09-03315-00	SL0805-3R3M1R5	2

ELECTRICAL PARTS LIST - CONTINUED

Ref. No.	Part No.	Description	Q'ty
LR1	09-70470-02	AX TYPE 4.7 μ H CHOKE COIL W/TC	1
MB	11-10040-027	DVD1004 RDS MB D/S 182.4X151.3X1.2	1
LP1	15-05026-01	TRANS XDN-457A-T50-26B	1
JC3	16-00035-04	Ø3.5MM JACK (4PIN) W/SW	1
JA1	16-00035-10	Ø3.5MM JACK 4PIN BLACK	1
JV1	16-00035-20	Ø3.5MM JACK 4PIN YELLOW	1
SW	20-10200-05	SINGLE RCA CABLE 200MM GREEN	1
	20-20360-01	RCA CABLE WIRE 360MM BROWN	1
	20-20360-08	RCA CABLE WIRE 360MM GREY	1
	25-05180-50	50PIN P=0.5MM L=180MM WIRE FFC	1
JM1	25-10040-00	DC CONVERT PLUG WITH WIRE	1
	25-50501-50	50P SOCKET 50002A-50T1-B SUYIN	1
	25-D1560-01	WIRE H-TYPE 8PIN CDC SOCKET 270MM	1
TR1	29-00347-03	M. FAE347/P21/22 EAST EUROPE 1 PACK 65~105MHZ	1
PC BOARD ASSY, KEY BOARD			
L1~21	02-01112-00F	SMD LED PG1112H GREEN "STANLEY"	21
Z1	02-50051-03	CHIP ZENER DIODE 5.1V \pm 5% (LL-34)	1
	03-16311-00	IC UPD16311GC (VFD DRIVER)	1
C1~8	05-63104-02	CHIP CAP 0.1 μ F \pm 20% Y5V 0603 SMT	8
EC1,2	06-10107-00	E. CAP 100 μ F 10V	2
R33/4	07-63101-00	CHIP RES. 100 Ω \pm 5% 0603 SMT	2
R11	07-63102-00	CHIP RES. 1k Ω \pm 5% 0603 SMT	1
R18	07-63152-00	CHIP RES. 1.5k Ω \pm 5% 0603 SMT	1
R16/9,30	07-63181-00	CHIP RES. 180 Ω \pm 5% 0603 SMT	3
R1	07-63182-00	CHIP RES. 1.8k Ω \pm 5% 0603 SMT	1
R21	07-63183-00	CHIP RES. 18k Ω \pm 5% 0603 SMT	1
R15,29	07-63221-00	CHIP RES. 220 Ω \pm 5% 0603 SMT	2
R17	07-63222-00	CHIP RES. 2.2k Ω \pm 5% 0603 SMT	1
R4	07-63223-00	CHIP RES. 22k Ω \pm 5% 0603 SMT	1
R24	07-63242-00	CHIP RES. 2.4k Ω \pm 5% 0603 SMT	1
R37	07-63271-00	CHIP RES. 270 Ω \pm 5% 0603 SMT	1
R20	07-63272-00	CHIP RES. 2.7k Ω \pm 5% 0603 SMT	1
R14,28	07-63331-00	CHIP RES. 330 Ω \pm 5% 0603 SMT	2
R8~10	07-63332-00	CHIP RES. 3.3k Ω \pm 5% 0603 SMT	3
R6	07-63392-00	CHIP RES. 3.9k Ω \pm 5% 0603 SMT	1
R2	07-63393-00	CHIP RES. 39k Ω \pm 5% 0603 SMT	1
R5,13,27	07-63471-00	CHIP RES. 470 Ω \pm 5% 0603 SMT	3
R7,23,36	07-63472-00	CHIP RES. 4.7k Ω \pm 5% 0603 SMT	3
R32	07-63473-00	CHIP RES. 47k Ω \pm 5% 0603 SMT	1

ELECTRICAL PARTS LIST - CONTINUED

Ref. No.	Part No.	Description	Q'ty
R35	07-63513-00	CHIP RES. 51kΩ ±5% 0603 SMT	1
R12,26	07-63681-00	CHIP RES. 680Ω ±5% 0603 SMT	2
R3	07-63751-00	CHIP RES. 750Ω ±5% 0603 SMT	1
R25	07-63752-00	CHIP RES. 7.5kΩ ±5% 0603 SMT	1
R22	07-63822-00	CHIP RES. 8.2kΩ ±5% 0603 SMT	1
R31	07-63823-00	CHIP RES. 82kΩ ±5% 0603 SMT	1
FB1,2	09-00601-00	CHIP BGH2012B601LB	2
	11-F1628-337	DVDF1628 VFD KB D/S 183X42X1.2MM	1
EN2	16-00903-00	JOG SWITCH KQU-903 L=10MM	1
	16-01107-00A	ALPS TACT SW 160GF 2P H=4.3	13
EJ	16-01140-04	TACT SW. KPS-1107SW H=2.5 KIE SMD	1
EN1	18-00115-00	CD115 ROTRAY ENCODER VOL	1
	25-M0156-18	18PIN PLUG (CD156)	1
	29-01201-00	IR RECEIVER GP1UM261XK (SHARP)	1
PC BOARD ASSY, SDK/CD SERVO BOARD			
Q2	01-00106-00	KRA106S (SOT-23)	1
Q1,21/2	01-01298-00	KTA1298 (SOT-23)	3
IR1,2	02-00144-00	IR LED MIE 144A1MC	2
D1~3,9,21/2,41	02-04148-02	DIO CHIP RLS4148 1206 ROHM	7
Z1	02-50043-00	CHIP ZENER DIODE 4.3V (LL-34)	1
Q41	03-01117-01	FIX 3.3V VOLTAGE REGVLATER AMS1117-3.3	1
U32	03-01616-00	W981616BH-7 (TSOP II-50PIN)	1
U21	03-03721-00	SP3721A (PQFP-64PIN)	1
U33	03-04743-00	IC BD4743G (SMP5) ROHM	1
U11	03-05706-00	IC M5706 (PQFP-176PIN)	1
U41	03-05918-00	BA5918FP-Y HSOP-25PIN	1
U42	03-06289-00	IC BA6289F (SOP8)	1
U22,51	03-34072-00	IC MC34072 (SOP8)	2
U31	03-39010-00	IC W39F010P-70B (PLCC-32PIN)	1
Y11	04-03386-04	CRYSTAL 33.8688MHZ HC-49USM (SMD)	1
C3,5~7,302	05-63100-00	CHIP CAP 10PF ±5% NPO 0603 SMT	5
C217	05-63101-00W	CHIP CAP 100PF ±5% NPO 0603 SMT	1
C108,117/8,218,221/3	05-63102-00	CHIP 1000PF ±5% NPO 0603 SMT	7
C1,4,49,104/6/7,110/5/6/9,501~3/5/7,525/ 6/8/9,532,BC5~7,10~7,22~4,31/2,41,116	05-63104-01	CHIP 0.1μF ±10% X7R 0603 SMT	48
C120/1	05-63102-00	CHIP 12PF ±5% NPO 0603 SMT	2
C220	05-63151-00	CHIP 150PF ±5% NPO 0603 SMT	1
C308	05-63224-01	CHIP 0.22μF ±10% X7R 0603 SMT	1
C208/9,211,227	05-63330-00	CHIP CAP 33PF ±5% NPO 0603 SMT	4

ELECTRICAL PARTS LIST - CONTINUED

Ref. No.	Part No.	Description	Q'ty
C105	05-63470-00	CHIP CAP 47PF ±5% NPO 0603 SMT	1
C113/4	05-63471-00	CHIP CAP 470PF ±5% NPO 0603 SMT	2
C222,401	05-63472-01	CHIP 4700PF ±10% X7R 0603 SMT	2
C102,112,214	05-63473-01	CHIP 0.047µF ±10% X7R 0603 SMT	3
C111,231,309	05-63474-00	CHIP CAP 0.47µF Y5V +80%	3
C103	05-63561-00	CHIP 560PF ±5% NPO 0603 SMT	1
C207,212/3/5/6	05-63681-00	CHIP 680PF ±5% NPO 0603 SMT	5
C109	05-63682-01	CHIP 6800PF ±10% X7R 0603 SMT	1
TC1,22~5,46	06-16106-54	E. CAP CHIP 10µF/16V 10V Ø4X5.5	6
C2,TC8,14,21,41~5	06-16107-54	E. CAP CHIP 100µF/16V Ø6.3X5.5	9
TC2	06-50105-54	E. CAP CHIP 1µF/50V Ø4X5.5	1
R414	07-05033-54	CHIP RES. 3.3Ω SMD 0805	1
R133,401/2,512,D4,5	07-63000-00	CHIP RES 0Ω 0603 SMT	6
R120,207	07-63100-00	CHIP RES 10Ω ±5% 0603 SMT	2
R5,6	07-63101-00	CHIP RES 100Ω ±5% 0603 SMT	2
RRN6~8,13~6	07-63101-04	CHIP CN34JT 100Ω (0603X4 SMT)	7
R3,317	07-63102-00	CHIP RES 1kΩ ±5% 0603 SMT	2
R3,7,13,104,112/8,209,210/7,305,315,404 ,501/7	07-63103-00	CHIP RES 10kΩ ±5% 0603 SMT	14
RRN4,9~12	07-63103-04	CHIP CN34JT 10kΩ (0603X4 SMT)	5
R102,119,215	07-63104-00	CHIP RES 100kΩ ±5% 0603 SMT	3
R504,510	07-63105-00	CHIP RES 1MΩ ±5% 0603 SMT	2
R101	07-63122-00	CHIP RES 1.2kΩ ±5% 0603 SMT	1
R208,406	07-63123-00	CHIP RES 12kΩ ±5% 0603 SMT	2
R214,502/8	07-63152-00	CHIP RES 1.5kΩ ±5% 0603 SMT	3
R107	07-63203-00	CHIP RES 20kΩ ±5% 0603 SMT	1
R8	07-63221-00	CHIP RES 220Ω ±5% 0603 SMT	1
R9,10	07-63222-00	CHIP RES. 2.2kΩ ±5% 0603 SMT	2
R409,503/9	07-63223-00	CHIP RES 22kΩ ±5% 0603 SMT	3
R216/8,225/6	07-63242-00	CHIP RES. 2.4kΩ ±5% 0603 SMT	4
R114,201/4~6,308,407	07-63330-00	CHIP RES. 33Ω ±5% 0603 SMT	7
RN11	07-63330-04	CHIP CN34JT 33Ω (0603X4 SMT)	1
R109~111/5,405	07-63332-00	CHIP RES 3.3kΩ ±5% 0603 SMT	5
R403/8	07-63333-00	CHIP RES 33kΩ ±5% 0603 SMT	2
R2	07-63392-00	CHIP RES 3.9kΩ ±5% 0603 SMT	1
R213	07-63471-00	CHIP RES 470Ω ±5% 0603 SMT	1
R11/2,106,116,318,505,511	07-63472-00	CHIP RES 4.7kΩ ±5% 0603 SMT	7
R113	07-63473-00	CHIP RES. 47kΩ ±5% 0603 SMT	1
R221	07-63474-00	CHIP RES 470kΩ ±5% 0603 SMT	1

ELECTRICAL PARTS LIST - CONTINUED

Ref. No.	Part No.	Description	Q'ty
R105,117,202	07-63512-00	CHIP RES 5.1kΩ ±5% 0603 SMT	3
R108	07-63513-00	CHIP RES. 51kΩ ±5% 0603 SMT	1
R103	07-63563-00	CHIP RES. 56kΩ ±5% 0603 SMT	1
R203,220	07-63822-01	CHIP RES 8.2kΩ ±5% 0603 SMT	2
L21/2	09-00100-54	INDUCTOR 10μH SMD 0805	2
L1,3,4,5,41	09-00601-00	CHIP BGH2012B601LB	5
	11-10040-227	DVD1004 SB D/S 107X88.3X1.2MM	1
SW1	16-00111-00	HICRO SW. SW-111 (CHIN MEI)	1
	25-00090-03	RAINBOW WIRE 30# 3PIN 90MM	1
CN1	25-50501-09	9PIN 0.5MM SMD SOCKET DOWN CONT	1
JP4	25-50501-50	50P SOCKET 50002A-50T1-B SUYIN	1
JP3	25-50502-30	30P 0.5MM SMD SOCKET UPPER CONT	1
PC BOARD ASSY, REMOTE BOARD			
Q301	01-02785-00C	TRANSISTOR 2SC2785 "NEC"	1
D309	02-00120-00	IR EMITIER DIODE MIE-544A4	1
D305	02-04148-00A	DIODE IN-4148 AT. (TAPPING)	1
U301	03-00101-00	IC S0101 (SGNEC)	1
C303	05-03104-10F	CHIP CAP 0.1μF 25V Z5U ±20%	1
C301/2	05-03121-05	CHIP CAP 120P 50V J CH TA	2
C304	06-06476-02	E. CAP 47μF 6.3V (Ø5X5MM)	1
R310	07-05220-54	CHIP RES 22Ω 1/10W	1
R309	07-05221-54	CHIP RES 220Ω 1/10W	1
X301	09-50455-05J	CER RESONATOR ZTB455E	1
	12-01620-303	PCB DVD-162 RB D/S 133X38X1.0MM	1
PC BOARD ASSY, CHOKE BOX BOARD			
D901	02-05401-00	DIODE IN-5401	1
C917	05-00104-82	CER CAP 0.1μF 25V	1
C918	06-16108-00	E. CAP 1000μF 16V (Ø10X15MM)	1
	12-40281-920	"EI-28" TRANSFORMER PCB W/O FUSE	1
T901	15-00028-00C	TRANSFORMER RC-6880 (COREL) EI-28	1
PC BOARD ASSY, LAMP BOARD			
Q402	01-08050-03	TR. 8050C TO-92-B	1
LED	02-30000-02	LED Ø3MM RED	1
LAMP	02-30553-60T	P. LAMP AA 3V 60MM Ø3X5.5 K. T.	1
DTHSO TO GND	05-63104-01	CHIP 0.1μF ±10% X7R 0603 SMT	1
R408	07-05103-16	RES. 10kΩ 1/16W	1
R406	07-05151-00	RES. 150Ω 1/4W	1
PCB	12-03201-755	PCB CD032X2 LB 1.0MM 41X18	1
SW	16-51377-00K	PUSH SW. SPPB51377A (DS-20) KONEX	1

ELECTRICAL PARTS LIST - CONTINUED

Ref. No.	Part No.	Description	Q'ty
PC BOARD ASSY, JB. EL DRIVER SECTION			
QD2	01-00435-00S	TR BD435S NPN TO-126 FAIRCHLD	1
QD1	01-03875-07	TRANSISTOR 2SC3875G	1
DD1~3, QC21	02-04148-02	DIO CHIP RLS4148 1206 ROHM	4
ZD1,2	02-50068-54	CHIP ZENER DIODE 6.8V (LL-34)	2
ZD3	02-50100-02	CHIP ZENER DIODE 10V ±5% (LL-34)	1
CD4	05-05474-00F	AXAIL ACC-F474Z500P52	1
CD5	05-63104-02	CHIP CAP 0.1μF ±20% Y5V 0603 SMT	1
CD2	05-63182-00	CHIP CAP 1800PF ±10% NPON 0603 SMT	1
CD1	06-16227-01	E. CAP 220μF 16V (Ø6.3X12MM)	1
CD6	06-16336-01L	E. CAP 33μF 16V Ø5X5MM LELON	1
CD3	06-16476-03	E. CAP 47μF 16V (6X5)	1
RD3	07-63152-00	CHIP RES 1.5kΩ ±5% 6003 SMT	1
RD4	07-63223-00	CHIP RES 22kΩ ±5% 6003 SMT	1
RD7	07-63242-00	CHIP RES 2.4kΩ ±5% 6003 SMT	1
RD9	07-63333-00	CHIP RES 33kΩ ±5% 6003 SMT	1
RD6	07-63470-00	CHIP RES 47Ω ±5% 6003 SMT	1
RD8	07-63561-00	CHIP RES 560Ω ±5% 6003 SMT	1
RD5	07-63682-00	CHIP RES 6.8kΩ ±5% 6003 SMT	1
RD2	09-00601-00	CHIP BGH2012B601LB	1
LD1	15-00013-02	JBC-618-EE13 TRANS	1

SPECIFICATIONS

T. H. D.....	Less than 0.35%
Signal to Noise Ratio	More than 60 dB
Channel Separation	More than 60 dB
Frequency Response	20Hz - 20kHz
Stereo Separating (FM)	30 dB (at 1kHz)
Signal to Noise Ratio (FM)	Better than 50 dB
Output Power	4 X 40W
Speaker Output Impedance.....	4 To 8 ohm
Power Source	DC 12V, Negative ground.
Frequency Range	FM 65 – 105 MHz
.....	MW 522 - 1620 kHz
.....	LW 144-288 kHz
Sensitivity.....	FM 3 μ V (S/N=30dB)
.....	MW 30 dB μ (S/N=20 dB)
.....	LW 32 dB μ (S/N=20 dB)

Specifications are subject to change without notice.